



INSTALLATION & OPERATION INSTRUCTIONS

At Pacific Teak Millworks we are committed to providing you the most beautiful, finest quality outdoor living cabinetry available. Properly installed and cared for, your teak cabinetry will provide a lifetime of beauty, enjoyment and flawless operation in your outdoor living area. Please read this entire instruction manual prior to installation, and pay close attention to the information below.

Installation Instructions

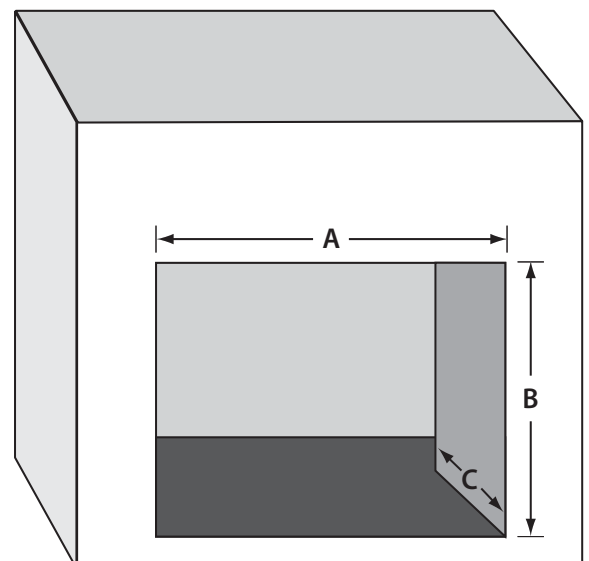
Important. Before you Begin:

- **⚠️ WARNING:** Drilling, sawing, sanding or machining wood products can expose you to wood dust, a substance known to the State of California to cause cancer. Avoid inhaling wood dust or use a dust mask or other safeguards for personal protection. For more information go to www.P65Warnings.ca.gov/wood.
- If your cabinets are to be installed in an island with a barbeque grill, consult your grill instructions regarding "Clearances to Combustibles". An insulated grill liner may be required.
- Be careful not to drop Door or Drawer Chassis'. It will damage the Outer Flange.
- Be careful not to damage the 2 black plastic expansion pin bushings on either side of the Hinge Cylinder.
- It is generally easier to install Doors *after* Door Chassis' are installed in the island. Conversely, it is easier to install Drawer Fronts *before* Drawer Chassis' are installed.
- When installing Door and Drawer Handles, always drill small pilot holes before drilling the final holes to avoid chipping. Drill final holes from the front side to avoid chipping the face of the Door or Drawer Front.
- There are 2 sets of handle screws included with our hardware kits. The longer screws are for mounting handles on the outer frames of all doors and drawer fronts. The shorter screws may be used if mounting handles in the center panels of *Shaker* or *Cottage* style doors and drawer fronts.
- Carefully drill pilot holes through doors, drawer fronts and mounting flanges at each screw location before installing screws. Installing screws without pilot holes may cause wood to chip which is not covered under your warranty.

Cutout Dimensions

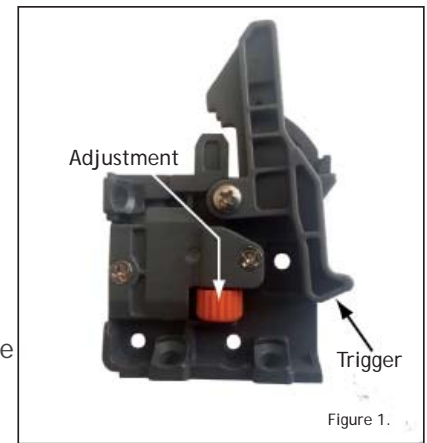
- Note: All cutout dimensions are in inches and provide 1/4" total tolerance vertically and horizontally.

Models	A (Width)	B (Height)	C (Depth)
CH-DO1-18; AD1-(18S/18C/18LR & 18LL)	17.25	21.25	3.25
CH-DO1F-18; AD1F-(18S/18C/18LR & 18LL)	17.25	27.25	3.25
CH-DO2-24; AD2-(24S/ 24C & 24L)	23.25	21.25	3.25
CH-DO2-30; AD2-(30S/ 30C & 30L)	29.25	21.25	3.25
CH-DO2F-30; AD2F-(30S/ 30C & 30L)	29.25	27.25	3.25
CH-DO2-34; AD2-(34S/ 34C & 34L)	33.25	21.25	3.25
CH-DR1H-18; UD1-(18S/ 18C & 18L)	17.25	7.25	20.75
CH-DR1H-30; UD1-(30S/ 30C & 30L)	29.25	7.25	20.75
CH-DR2V-18; UD2-(18S/ 18C & 18L)	17.25	21.25	20.75
CH-DR3V-18; UD3-(18S/ 18C & 18L)	17.25	27.25	20.75
CH-PO1-13; PO1-(13S/ 13C & 13L)	12.25	21.25	23.75
CH-POHDL-18; POHDL-(18S/18C & 18L)	17.25	21.25	23.75
CH-CO21-35; CO21-(35S/ 35C & 35L)	34.25	21.25	20.75
CH-C11S-18; CO11S-(18S/18C/18LR & 18LL)	17.25	27.25	20.75
CH-C11P-18; CO11P-(18S/18C & 18L)	17.25	27.25	23.75
CH-C12T-30; CO12T-(30S/30C & 30L)	29.25	27.25	20.75
CH-WC1-18	17.25	21.25	12.50



Installing Drawers:

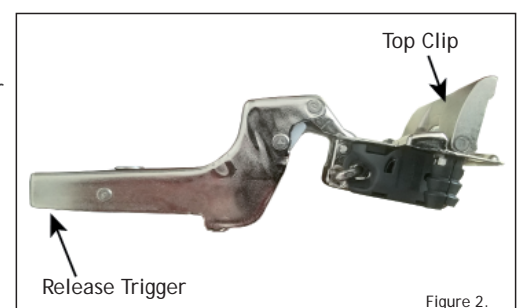
- a. Install Handles on Drawer Fronts and carefully set them aside.
- b. Place the Drawer or Combo Chassis at a comfortable working height. Take care not to damage the beveled flange around the face of the chassis.
- c. Your Soft-Close Drawer Glides include a gray release/ adjustment mechanisms (Figure 1.) at the front of each Glide with a release trigger to remove the Drawer, and an orange wheel adjustment which allows you to level and adjust the height of the Drawer. Set the Drawer adjustment to the fully "down" position.
- d. With the Drawer box in the fully "closed" position, insert the Drawer Front into the opening and against the drawer box. If your Chassis includes more than one Drawer, start with the bottom Drawer and work your way up.
- e. Center and align the Drawer Front. Use shims to keep it in position.
- f. Hold the Drawer Front firmly in place and install screws into the two pre-drilled aligning holes in the round plastic inserts located in the back side of the Drawer Front.
- g. Repeat "e." and "f." above for each Drawer.
- h. With all Drawer Fronts mounted, check the alignment and gaps on all sides. To make adjustments, lightly tap the side of the drawer front in the direction required to center it. Use the orange adjustment wheel on each Drawer Glide to raise or level Drawers as needed.
- i. When the Drawers are level and centered, pre-drill pilot holes in the remaining 4 screw locations, and secure the Drawer Fronts to the Drawer Boxes using screws provided.
- j. Remove the Drawers from the Chassis in the fully "open" position by depressing both triggers shown in Figure 1., and lifting Drawers out. Carefully set Drawers aside.
- k. Make sure the empty Drawer Chassis is level and square, and install it in the island using screws appropriate for your island material.
- l. To re-install Drawers, pull each Drawer Glide out into the fully "open" position. Rest the Drawers on the Glides, then push them into the Chassis until you hear them "click" into position.



Installing Doors:

Note: When installing or removing hinges from a door, the hinge top clip must be completely in the "up" position, and the hinge arm should be fully extended in the "door open" position as shown in Figure 2.

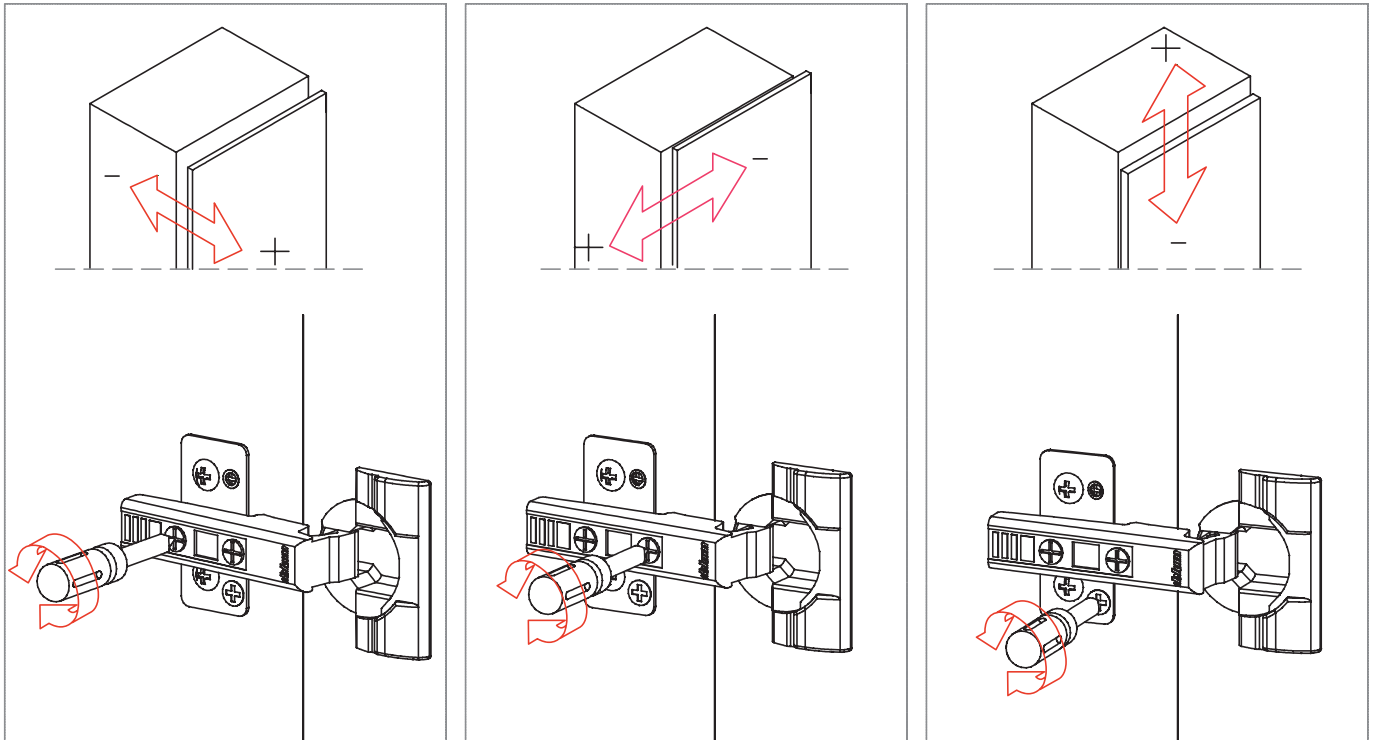
- a. Install Handles on the Doors and carefully set them aside.
- b. Place the Door Chassis face down on a flat, smooth surface taking care not to damage the flange. Press **upward** on the release Trigger and detach The Hinge from the Mounting Plate.
- c. With Top Clips fully **open**, press the Hinge Cylinder and Expansion Pins into the matching holes in the Door until the Hinge Head is completely flush with the Door surface. Be careful not to damage the black plastic Pin Bushings.
- d. Push the Clip Tops **down** to secure the Door.



Note: To hide mounting screws, install them under the hinges, about 1/2" in front of the Hinge Plates.

- e. Pre-drill installation holes in the Flanges, and install the Door Chassis into the island opening using screws appropriate for your island material. Make sure the Chassis is level and square.
- f. Attach Hinges and Door as a unit to the Hinge Plates with the Door in the "open" position. Engage the metal Pin located under the front of each hinge arm into the hooks at the front of the hinge mounting plate, then press **down** on the back of the Hinge body to lock the hinges in place.
- g. Adjust Door alignment as shown on the next page.

Adjusting Doors:



Switch on hinge cup

For small or light doors, the BLUMOTION can be deactivated on one of the hinges.

Door must be closed once for the deactivation to be complete. To reactivate, move switch back to original position.

