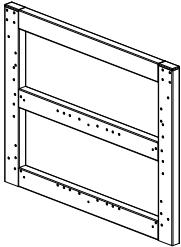
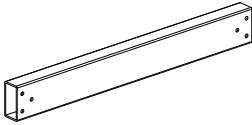
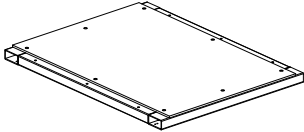
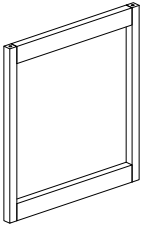
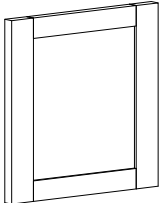


ASSEMBLY INSTRUCTIONS FOR 18" GRILL PEDESTAL

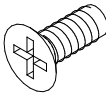
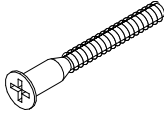
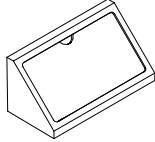
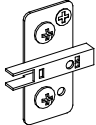
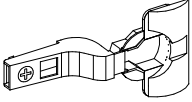
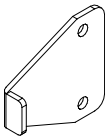
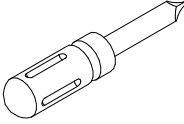
Thank you for choosing Pacific Teak Millworks outdoor cabinetry! You have selected the most beautiful, finest quality outdoor living cabinetry available. Properly installed and cared for, your teak cabinetry will provide a lifetime of beauty, enjoyment and flawless operation for your new outdoor living area.

CONTENTS:

Cabinet Components:

No	Item
1	 Cabinet Frame Side: 2 ea.
2	 Cabinet Frame Rear Support: 1 ea.
3	 Cabinet Bottom Assembly: 1 ea.
4	 Teak Face Frame: 1 ea.
5	 Cabinet Door: <i>Purchase Separately</i>

Assembly Hardware:

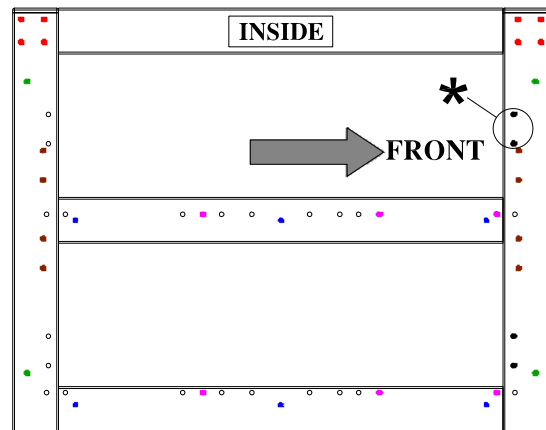
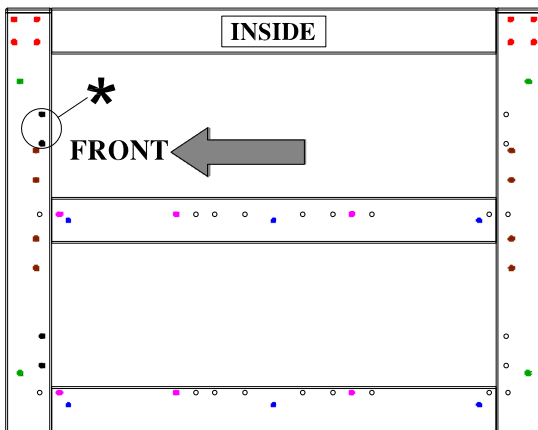
Code	Item
A	 Euro Screw: M6 x 11mm. 26 ea.
B	 Häfele® M5 x 38mm PZ2 Confirmat Screw: 10 ea.
C	 SISO Corner Bracket: 6 ea.
D	 Blum® Clip Top Hinge Plate: 2 ea.
E	 Blum® Clip Top Blumotion Hinge: 2 ea.
F	 Aluminium Door Stop: 1 ea.
G	 Phillips Head Screwdriver: <i>Not included</i>

Before you begin.

- Please read these instructions completely and thoroughly before you begin assembly and installation.
- Pacific Teak Millworks outdoor cabinetry must be installed by an experienced cabinet installer.
- If your cabinets will be installed with a barbeque grill or other cooking appliances, consult the appliance manufacturer's instructions regarding "Clearances to Combustibles". An insulated liner may be required.
- Note that all holes needed for normal cabinet assembly are precisely located during the CAD fabrication processes, and no drilling is generally required. We recommend using standard hand tools for assembly to prevent damage. If using power tools to assemble cabinets, be sure to adjust the force to the lightest possible setting. Overtightening could strip the screws, aluminum cabinet components, or damage the plastic SISO corner brackets.

! WARNING: Drilling, sawing, sanding or machining wood products can expose you to wood dust, a substance known to the State of California to cause cancer. Avoid inhaling wood dust or use a dust mask or other safeguards for personal protection. For more information go to: www.P65Warnings.ca.gov/wood.

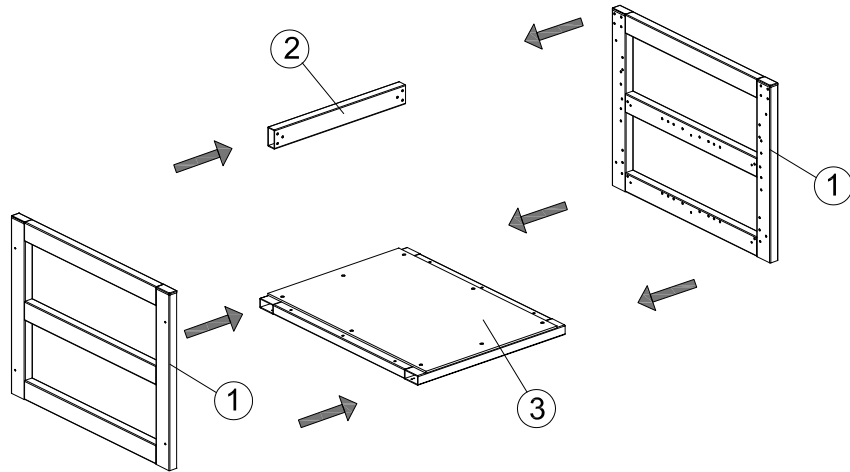
Cabinet Frame Side Hole Matrix:



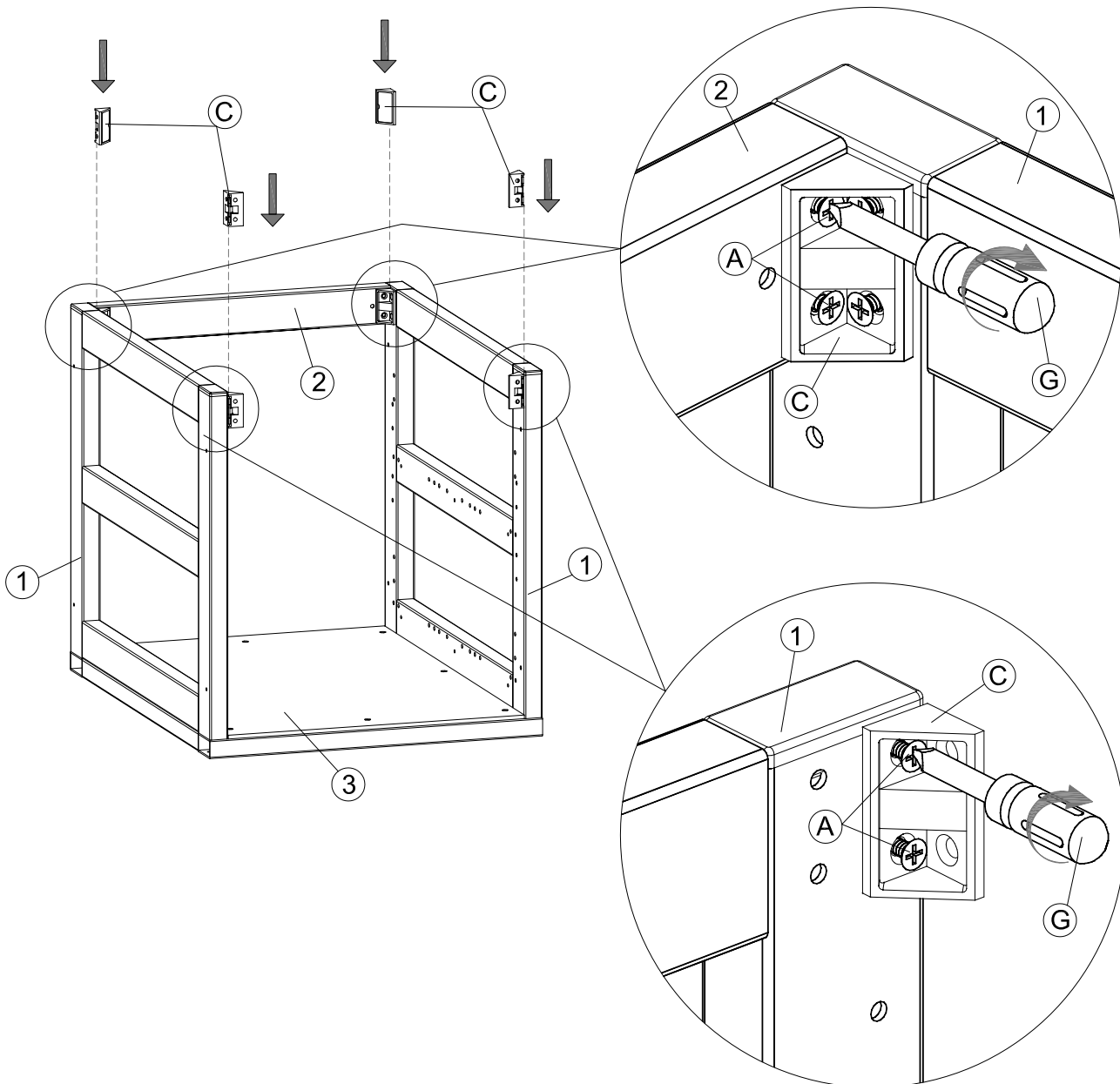
- Hole Siso Corner Fix
- Hole Connector HÄFELE Confirmat PZ2 drill.gal. 5x38mm
- Hole BLUM Clip mounting plate
- Hole Shelf

- Hole Panel Drawer
- Hole Drawer Roll Out Tray
- * Can be used for door stop on 18" Grill Pedestal Chassis

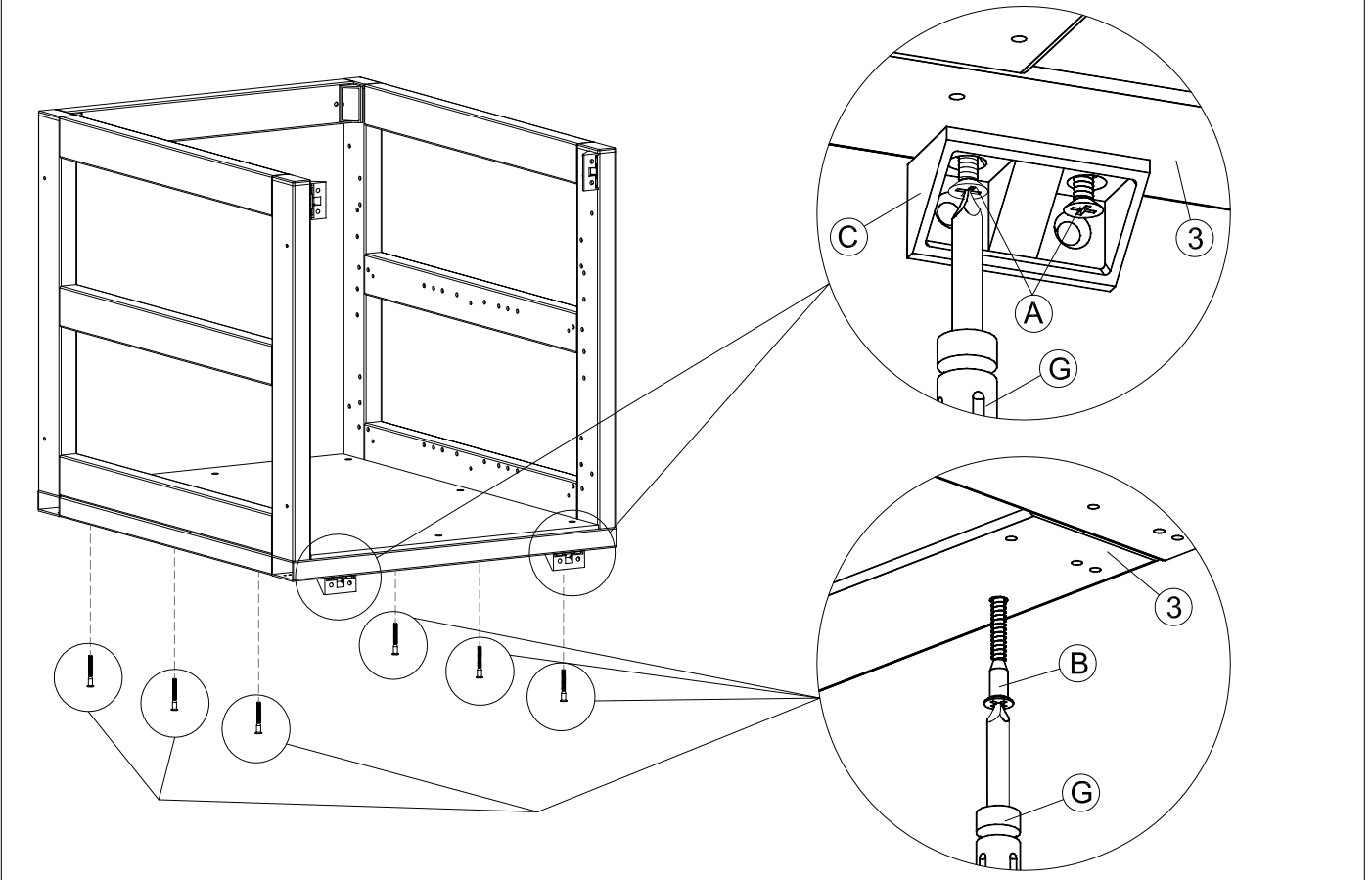
Step 1. Assemble Cabinet Frame



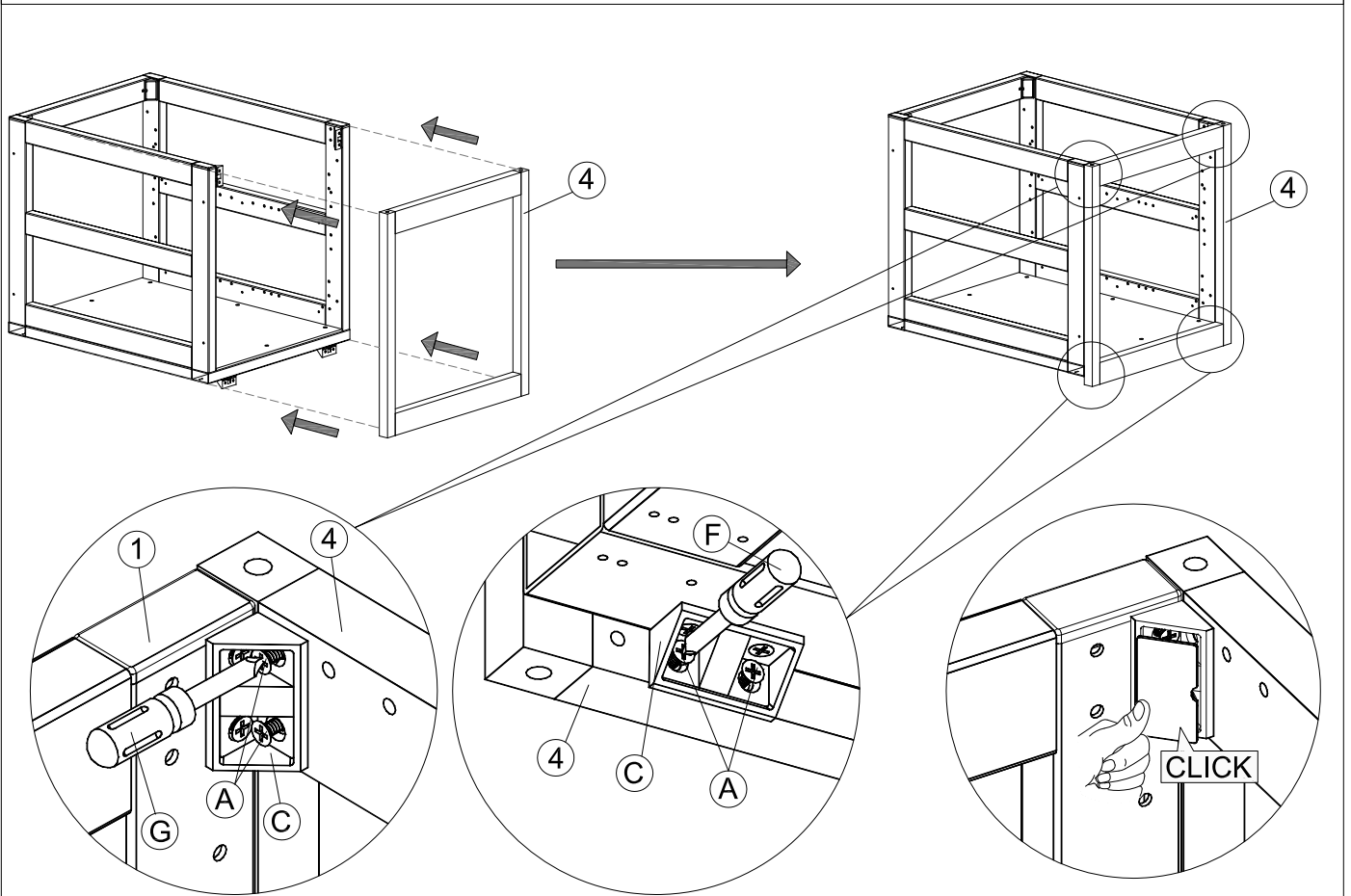
Step 2. Install Corner Brackets



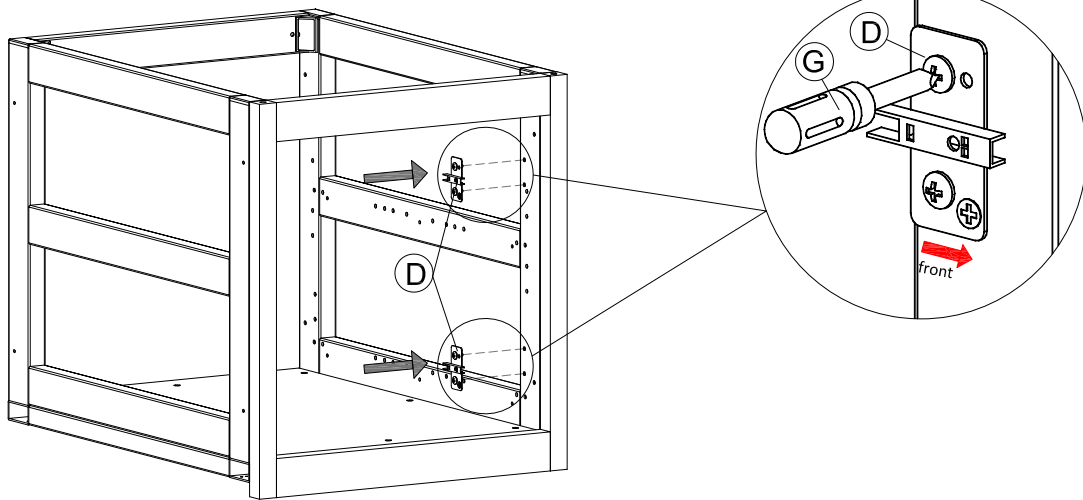
Step 3. Install Cabinet Bottom



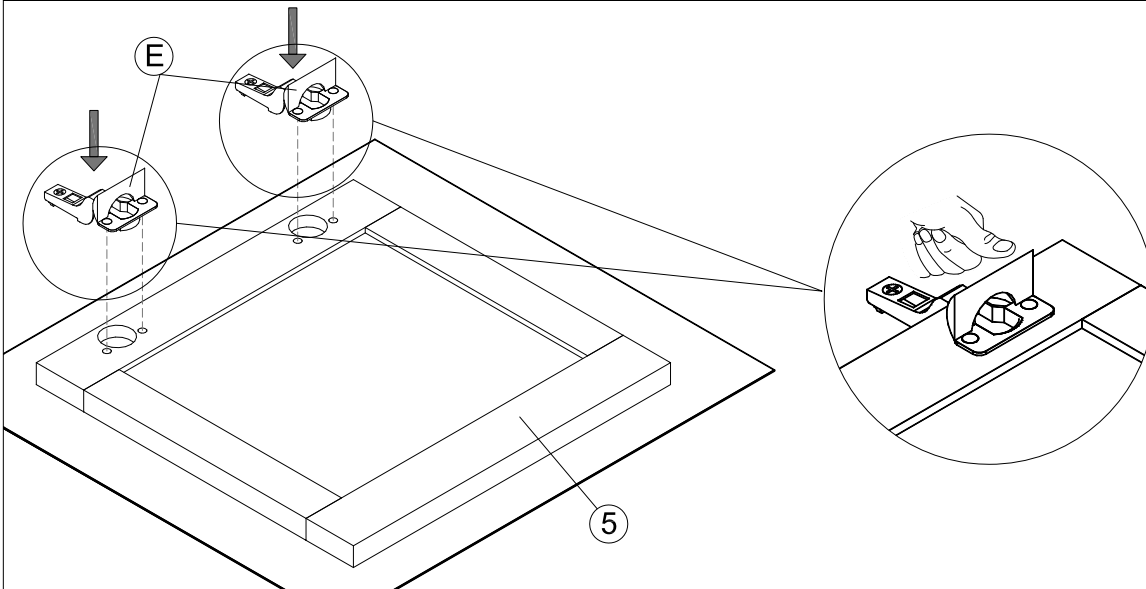
Step 4. Install Teak Face Frame



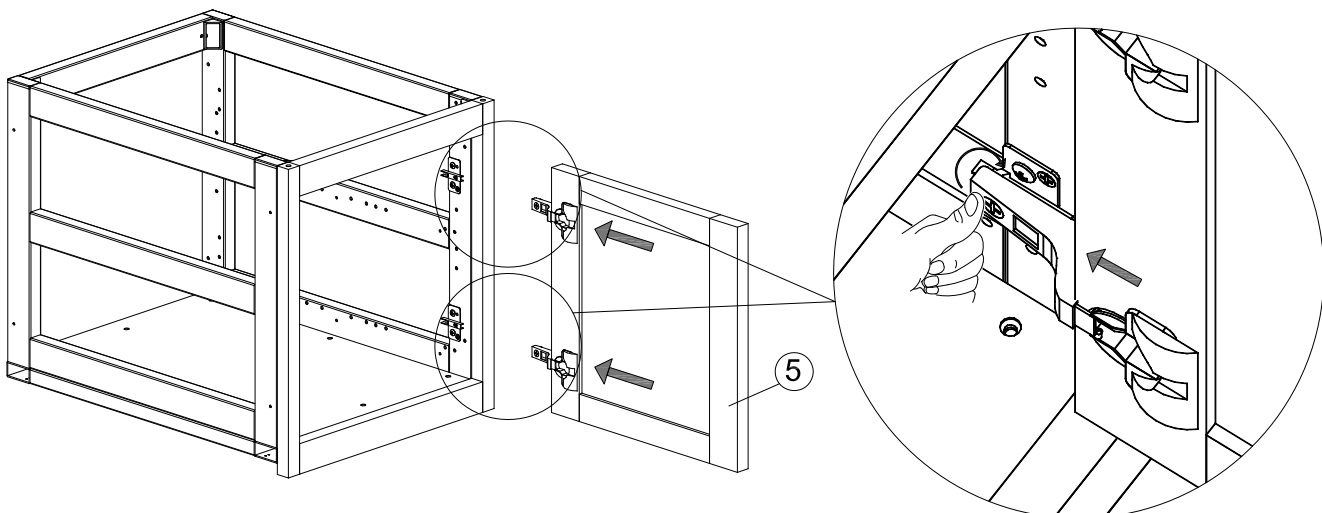
Step 5. Install Hinge Plates



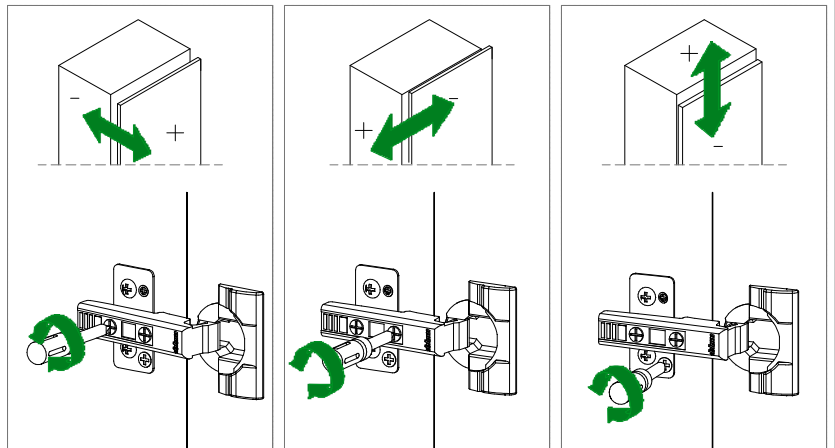
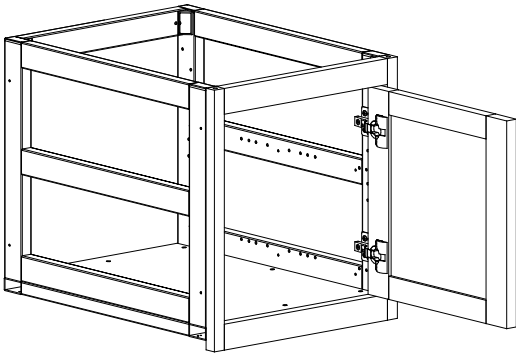
Step 6. Install Hinges on Door (Sold Separately)



Step 7. Install Door



Step 8. Door Adjustment



Step 9. Instal Door Stop

